

# ALTO DR™ 17x17 Fixed GAD Panel

High-Performance Fixed DR Flat Panel Detector with AED Technology



The Alto DR by Vieworks utilizes the newest patented wave of DR technology - AED (Automatic Exposure Detection.) This technology requires no integration to the x-ray generator. Medlink Imaging offers a variety of digital solutions to help physicians, clinicians and healthcare professionals make the transition to digital imaging.

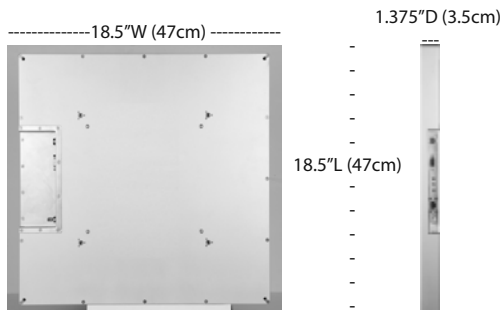
[www.medlinkimaging.com](http://www.medlinkimaging.com)



# ALTO DR 17x17 Fixed Gadox Panel

## ALTO DR™ 17x17 Fixed Gadox Panel Technical Specs

Detection Area	17x17 inch (43cmx43cm)
Dimensions	18.5"W x 18.5"L x 1.375"D (47x47x3.5cm)



Weight	24.2 (lbs) 11(kg)
--------	-------------------

Scintillator Amorphous Silicon  
Gadolinium Oxysulfide G2O2S (Gadox)

Pixels	3072 x 3072
Pixel Pitch/Size	140 µm x 140 µm
A/D Conversion	14 bit
Grayscales	16,384
Power	DC24V, 1.0A
X-Ray Voltage Range	40-150 kVp
High Resolution Image Display Preview	3 Seconds

Data output 1G Ethernet.

System includes: 17x17 Fixed Flat Panel Detector, Power Supply Unit (PSU), Image Processing Viewer Software, Cables and Acquisition Workstation.

Note: System does not include the Cat. 5 cable between the Acquisition Station and the Network Connection.

## ALTO DR™ Acquisition Workstation

1TB Local Mini-PACS in a RAID 1 (2 Total Drives)
4GB, Non-ECC, 1333 MHz DDR3 Intel Core i3 Dual Core Processor 4350 (3.6GHz)
16x DVD +/- RW SATA Optical Drive
Integrated Intel Graphics HD4600
Monitor: 2MP, 22" LCD, Resolution:1920x1080 Ratio:1000:1
Licensed MIRAssist™ Bridge 2x1TB (1TB RAID 1)

## ALTO DR™ Acquisition and Viewing Software

Five (5) LAN - Local Area Network Viewers
DICOM Send - Multi Destination, DICOM Print
DICOM Store - Auto Routing and Scheduled Backup
CD/DVD Burning with Mini-Viewer
DICOM MWL Modality Worklist
Measurement Tools,
Stitching - Auto and Manual Selection
Archive, Image Preview, Magnify, Zoom, Pan, Annotation,
Window Level, Rotate, Repeat / Reject, Magnify, Zoom, Pan
L/R Marker, Un-sharp Mask
Image Export - DICOM, JPEG, TIF and BMP w/wo Viewer

## MIRAssist™ Data Recovery Service

All ALTO DR™ Systems are provided with a One (1) Year 250GB Data Recovery Archive Service Plan with an Automatic Backup to a Fully Monitored and Managed HIPAA Compliant Archival and Disaster Recovery Service. Customers may increase the data plan and/or extend this service after Year One (1) for a fee. Note: MIRAssist™ is automatically activated on all systems prior to shipment.

## ALTO DR™ Warranty / Support Coverage

Manufacturer's Standard Warranty Coverage: Three (3) Year Warranty on DR Hardware, Software and Remote Technical Support. Internet access is required. Drop Protection is NOT included. Ask for warranty coverage details.

## Workstation PC Warranty and Support Coverage

Computer Acquisition Station and Monitor includes a Three (3) Year Warranty Plan with Next Business Day On-site Support from Lenovo. Help Desk Hours Monday-Friday 9:00AM - 8:00PM Eastern Time, excluding Holidays.

