

ALTO DR™ 17x17 Fixed CsI Panel

High-Performance Fixed DR Flat Panel Detector with AED Technology



The Alto DR by Vieworks utilizes the newest patented wave of DR technology - AED (Automatic Exposure Detection.) This technology requires no integration to the x-ray generator. Medlink Imaging offers a variety of digital solutions to help physicians, clinicians and healthcare professionals make the transition to digital imaging.

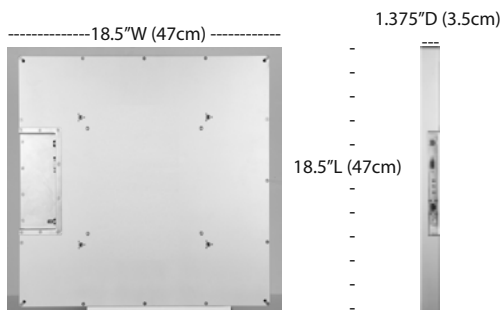
www.medlinkimaging.com



ALTO DR™ 17x17 Fixed Csl Panel

ALTO DR™ 17x17 Fixed Csl Panel Technical Specs

Detection Area	17x17 inch (43cmx43cm)
Dimensions	18.5"W x 18.5"L x 1.375"D



Weight	24.2 (lbs) 11(kg)
--------	-------------------

Scintillator Amorphous Silicon
Cesium-Iodide (Csl:Tb)

Pixels	3072 x 3072
Pixel Pitch/Size	140 µm x 140 µm
A/D Conversion	14 bit
Grayscales	16,384
Power	DC24V, 1.0A
X-Ray Voltage Energy Range	40-150 kVp
High Resolution Image Display Preview	3 Seconds

Data output 1G Ethernet.

System includes: 17x17 Fixed Flat Panel Detector, Power Supply Unit (PSU), Image Processing Viewer Software, Cables and Acquisition Workstation.

Note: System does not include the Cat. 5 cable between the Acquisition Station and the Network Connection.

ALTO DR™ Acquisition Workstation

1TB Hard Disk in a RAID1 (2 Drives total)
4GB, Non-ECC, 1333 MHz DDR3
Intel Core i3 Dual Core Processor 4350 3.6GHz
16x DVD +/- RW SATA Optical Drive
Integrated Intel Graphics HD4600
Monitor: 2MP, 22" LCD, Resolution:1920x1080 Ratio:1000:1
Licensed MIRAssist™ Bridge 2x1TB (1TB RAID 1)

ALTO DR™ Acquisition and Viewing Software

Five (5) LAN - Local Area Network Viewers
DICOM Send - Multi Destination, DICOM Print
DICOM Store - Auto Routing and Scheduled Backup
CD/DVD Burning with Mini-Viewer
DICOM MWL Modality Worklist
Measurement Tools,
Stitching - Auto and Manual Selection
Archive, Image Preview, Magnify, Zoom, Pan, Annotation,
Window Level, Rotate, Repeat / Reject, Magnify, Zoom, Pan
L/R Marker, Un-sharp Mask
Image Export - DICOM, JPEG, TIF and BMP w/wo Viewer

MIRAssist™ Data Recovery Service

All ALTO DR™ Systems are provided with a One (1) Year 250GB Data Recovery Data Archive Service Plan with an Automatic Backup to a Fully Monitored and Managed HIPAA Compliant Archival and Disaster Recovery Service. Customers may increase the data plan and/or extend this service after Year One (1) for a fee. Note: MIRAssist™ is automatically activated on all systems prior to shipment.

ALTO DR™ Warranty / Support Coverage

Manufacturer's Standard Warranty Coverage: Three (3) Year Warranty on DR Hardware, Software and Remote Technical Support. Internet access is required. Drop Protection is NOT included. Ask for warranty coverage details.

Workstation PC Warranty and Support Coverage

Computer Acquisition Station and Monitor includes a Three (3) Year Warranty Plan with Next Business Day On-site Support from Lenovo. Help Desk Hours Monday-Friday 9:00AM - 8:00PM Eastern Time, excluding Holidays.