

The Portable Solution

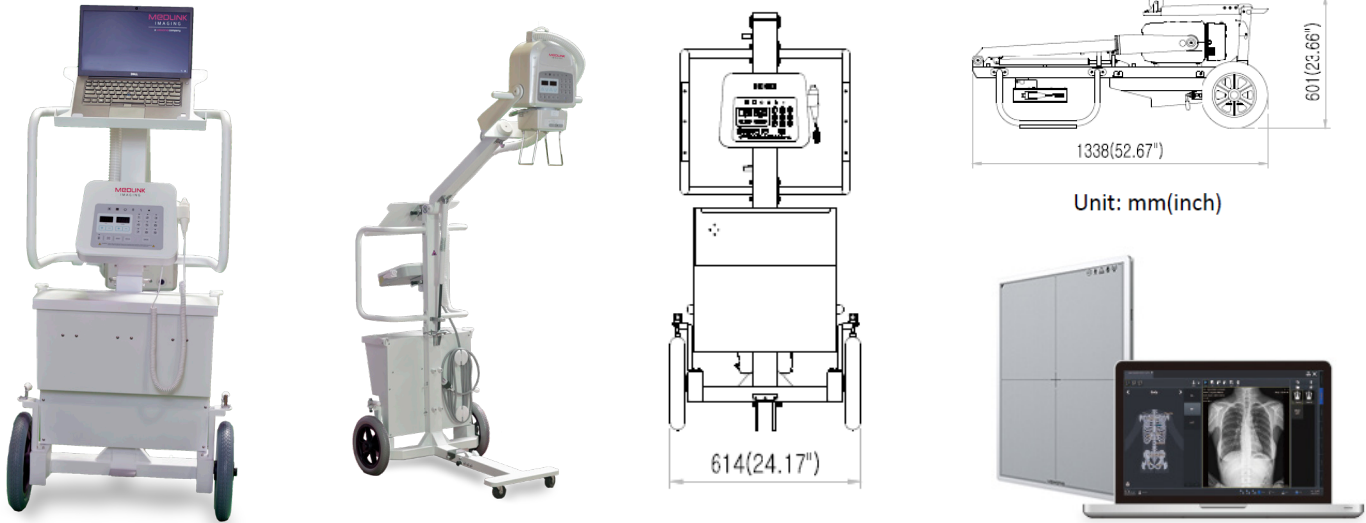
# JADE Mobile



**MEDLINK** IMAGING  
a viewworks company

# The JADE Mobile Solution

JADE is a powerful, innovative, highly versatile portable X-ray system suitable for a variety of clinical uses. With a simple, easy-to-use operator console, two-step foldable stand and auto lock system, JADE is one of the most user-friendly portable X-ray systems on the market today. When combined with the award winning VIVIX-S 3643VW panel, an unparalleled pre-packaged mobile digital diagnostic system was created.



## JADE Unit Features

## 3643VW Panel Features

<ul style="list-style-type: none"> <li>• 4kW High Frequency X-ray Generator</li> </ul>	<ul style="list-style-type: none"> <li>• Model FXRD-3643VAW</li> </ul>
<ul style="list-style-type: none"> <li>• Maximum 120kVp / 0.1 ~250mAs</li> </ul>	<ul style="list-style-type: none"> <li>• General Radiography Application</li> </ul>
<ul style="list-style-type: none"> <li>• 0.001 to 10 sec Exposure Time Range</li> </ul>	<ul style="list-style-type: none"> <li>• Anytime- Stable &amp; Reliable AED</li> </ul>
<ul style="list-style-type: none"> <li>• 119 lbs including X-ray unit, collimator and stand</li> </ul>	<ul style="list-style-type: none"> <li>• 14" x 17" (35.8cm x 43cm) Image Size</li> </ul>
<ul style="list-style-type: none"> <li>• Maximum height of 7' 5"</li> </ul>	<ul style="list-style-type: none"> <li>• 2560 x 3072 pixel size</li> </ul>
<ul style="list-style-type: none"> <li>• Collimator with 30 second LED lamp timer</li> </ul>	<ul style="list-style-type: none"> <li>• 16 bits Grayscale</li> </ul>
<ul style="list-style-type: none"> <li>• Exposure Hand Switch with 15' cord length</li> </ul>	<ul style="list-style-type: none"> <li>• Lithium Ion 3400mAh battery x 2 (14 h)</li> </ul>
<ul style="list-style-type: none"> <li>• Foldable, two-step stand</li> </ul>	<ul style="list-style-type: none"> <li>• Scintillator: CsI (Cesium-Iodide)</li> </ul>
<ul style="list-style-type: none"> <li>• Vehicle loadable</li> </ul>	<ul style="list-style-type: none"> <li>• X-Ray Voltage Range: 40 - 150kVp</li> </ul>
<ul style="list-style-type: none"> <li>• Wheel lock</li> </ul>	<ul style="list-style-type: none"> <li>• Dimensions (HxWxD): 38.4cm x 46cm x 1.5cm</li> </ul>
<ul style="list-style-type: none"> <li>• Automatic tube arm lock at any angle</li> </ul>	<ul style="list-style-type: none"> <li>• Inside AP- Fast Wireless Communication</li> </ul>
<ul style="list-style-type: none"> <li>• User Programmable APR (up to 9 APR settings)</li> </ul>	<ul style="list-style-type: none"> <li>• IP67 Water and Dust Resistant</li> </ul>
<ul style="list-style-type: none"> <li>• Dual Focal Spot of 0.5/1.5mm</li> </ul>	<ul style="list-style-type: none"> <li>• Dell Latitude Acquisition Station Laptop</li> </ul>
<ul style="list-style-type: none"> <li>• USB interface &amp; Bluetooth</li> </ul>	<ul style="list-style-type: none"> <li>• VXvue with PureImpact Viewer Software</li> </ul>
<ul style="list-style-type: none"> <li>• 2 year Manufacturer Warranty</li> </ul>	<ul style="list-style-type: none"> <li>• 5 year Panel Manufacturer Warranty</li> </ul>

# JADE Mobile

## High Frequency Portable Solution with 1417 Wireless Gadox DR Panel

### SPECIFICATIONS:

#### JADE System

- Constant potential kW rating 4.0
- Type Microprocessor controlled High Frequency Inverter
- kVp range 40 to 120 kVp
- mA Range 10 to 100mA, 11 Step(10,12.5,16,20,25,32,40,50,64,80,100mA)
- Exposure time range 0.001 - 10 seconds
- mAs range 0.1 - 250 mAs, 35Step (in 25% Steps)
- X-ray Tube Type Stationary Anode
- Dual Focal Spot Size .05 / 1.5 mm
- X-ray switching frequency 100 kHz
- Power Cord Length 15 feet
- Control 2 Point Control (kV, mAs)
- Anatomical Programs Preprogrammed 9 APR data - User Programmable
- Collimator Manual with 19W LED Lightsource and 30 second LED lamp timer
- Stand Foldable, two-step, vehicle loadable with wheel lock
- Tube Arm Automatic tube arm lock at any angle
- Weight 119lbs including X-ray unit, collimator and stand
- Manufacturers Warranty 1 year

#### VIVIX-S VW DR Panel and Laptop

- Panel Model / Application FXRD-3643VAW (VIVIX-S 3643VW)
- Technology a-Si TFT
- Image Size 14 x 17 inches (35.8cm x 43.0cm)
- Pixel Pitch 140um
- Pixels 2560 x 3072 pixels
- Image Acquisition Time 3 sec.
- Grayscale 16 bits
- X-ray Generator Interface Auto trigger: AED (Automatic Exposure Detection) Mode
- Dimensions (HxWxD) 38.4cm x 46cm x 1.5cm
- Laptop Dell Latitude
- Communication Inside AP-Wireless Communication
- Software VXvue PureImpact Acquisition Viewer Software
- Manufacturer Warranty 5 years

**\*\*All prices, terms and conditions are are subject to  
change without notice**

**MEDLINK**  
IMAGING

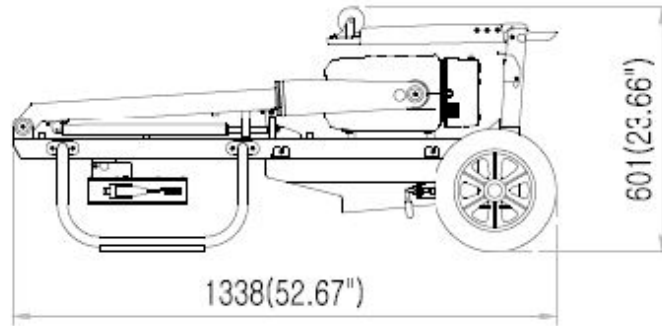
a viewworks company

1 Chapin Road, Unit 3, Pine Brook, New Jersey 07058  
For more information visit: [www.medlinkimaging.com/jademobile](http://www.medlinkimaging.com/jademobile)

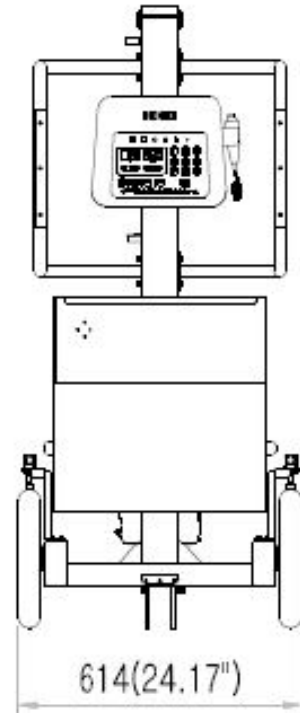
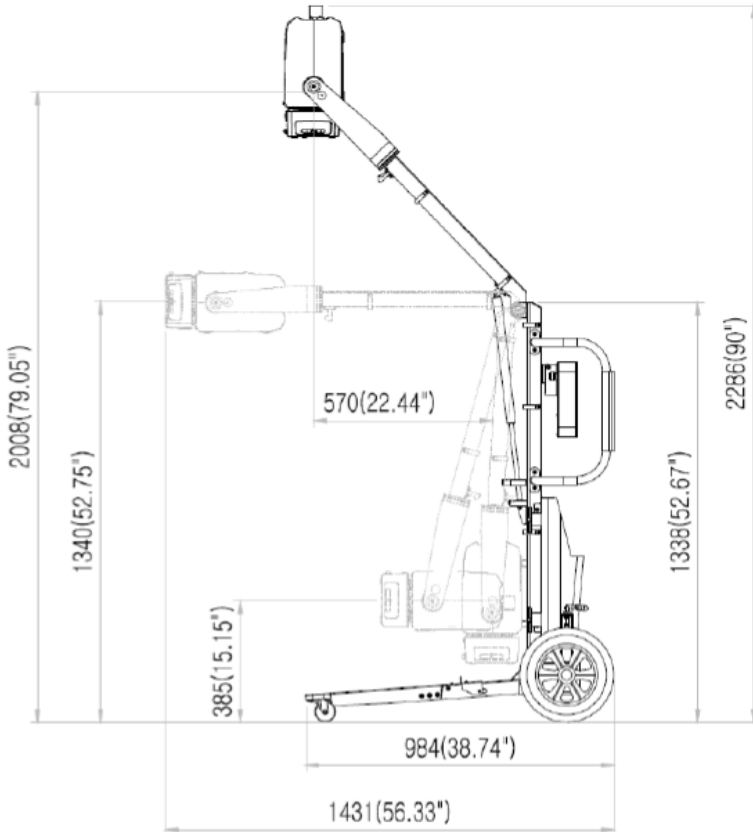
# JADE

## High Frequency Portable Solution with 1417 Wireless Gadox DR Panel

### DIMENSIONS:



Unit: mm(inch)



Distributed By:

**MEDLINK**  
IMAGING

1 Chapin Road, Unit 3, Pine Brook, New Jersey 07058  
For more information visit: [www.medlinkimaging.com/jademobile](http://www.medlinkimaging.com/jademobile)

a viewworks company