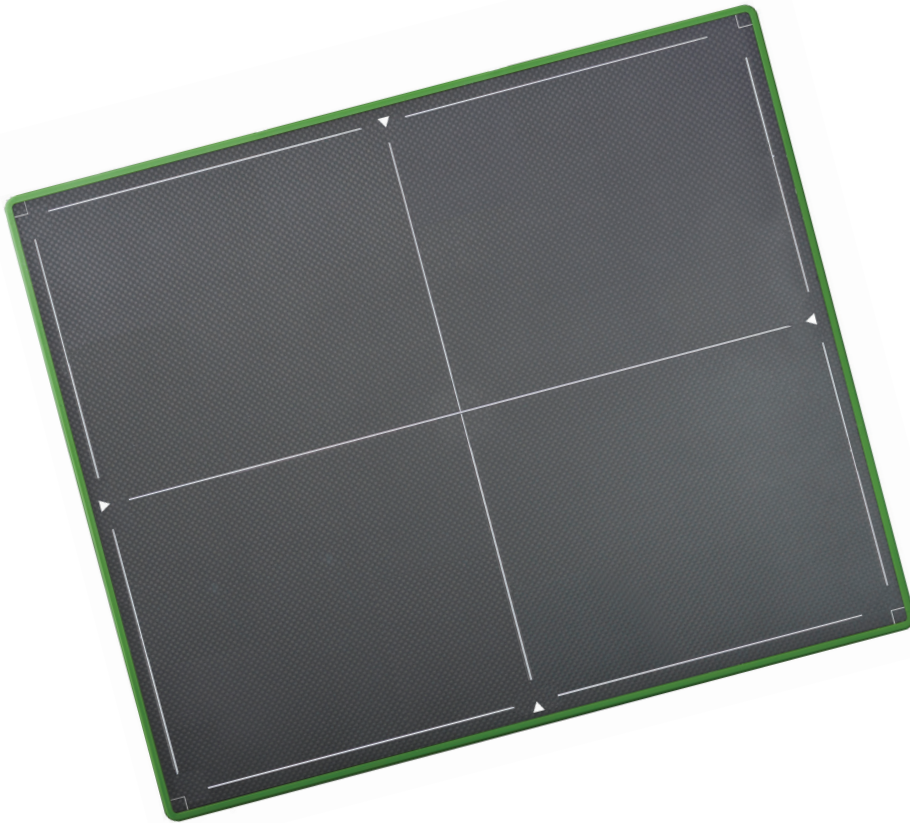




1500Cw 14"x17" Cassette-size Wireless Detector



The 14" x 17" Medlink VIVA DR™ wireless cassette-sized detector easily fits into standard bucky tray cabinets for upgrading a film or CR system to a flat panel DR system. Lightweight, slim design with award winning (Italy) built-in foldable handle, rubber insulated frame and high strength aluminum-alloy case ensure safe and convenient operation and moves. F²AED® eliminates wiring to the generator.

Dual-band wireless acquisition and transfer of a full resolution image in ~4 seconds. Extra-long battery life. Optional Touch-n-Shoot Trigger Top to expend battery life further. Standard Gigabit Ethernet port for optional wired operation.

Features & Benefits

User Friendly

- 14"x17" cassette-sized wireless detector easily fits into standard bucky tray cabinets for upgrading a film or CR system to a flat-panel DR system.
- VIVA DR's patented Full-Field Automatic Exposure Detection (F²AED™) technology eliminates wiring to the generator.
- Wireless acquisition and transfer of a full resolution radiography image in ~4 sec with 802.11n interface and dual-bands (2.4/5GHz) at 300Mbps data transmission rate.

Superior Image Quality

- The best performance CsI direct-deposition technology on our new generation of TFT/PIN PD panel and low noise electronics.

Innovative Design and Robust Performance

- Light-weight and slim design with rubber insulated frame and high strength aluminum-alloy case ensuring safe and convenient operation.
- Extra-long battery life with 1400 shots/charge (10 sec interval between shots) and 7 hours stand-by time.

Contact Us for More Information



One Chapin Road, Pine Brook, New Jersey 07058
800-456-7800 • International 201-298-2980 • Fax: 888-437-9729
<http://www.medlinkimaging.com> • info@medlinkimaging.com

VIVA DR™ 14" x 17" Wireless Csl Panel

Sensor

Scintillator	CsI
Active Area	434 x 355 mm ²
Pixel Array	2816 x 2304
Pixel Pitch	154µm

Image Quality

Limiting Resolution	3.3lp/mm
Greyscale	16 bits

Communication Interface

Communication Interface	GbitE 2.4/5GHz, 300Mbps
Image Acquisition Time	2-3s (wired) 4-5s (wireless)
Exposure Control	F2AED Manual

VIVA DR Acquisition Workstation

1TB Local Mini-PACS in a RAID 1 (2 Drives)
4GB, Non-ECC, 1333 MHz DDR3
Intel i3 Dual Core Processor 2120 (3.3GHz)
16x DVD +/- RW SATA Optical Drive
Integrated Intel Graphics 2000
Monitor: 2MP, 22" LCD, Resolution:1920x1080 Ratio:1000:1
Licensed MIRAssist™ Bridge 2x1TB (1TB RAID 1)

VIVA DR Acquisition and Viewing Software

Three (3) LAN - Local Area Network Viewers
DICOM Send - Multi Destination, DICOM Print
DICOM Store - Auto Routing and Scheduled Backup
CD/DVD Burning with Mini-Viewer
Measurement Tools
Archive, Image Preview, Magnify, Zoom, Pan, Annotation, Window Level, Rotate, Repeat / Reject, Magnify, Zoom, Pan L/R Marker, Un-sharp Mask
Image Export - DICOM, JPEG, TIF and BMP w/wo Viewer

Environmental

Operating	Natural Cooling
Temperature Range	5-35°C
Humidity Range (Non-condensing)	30%-75%RH

Storage

Temperature Range	-20-55°C
Humidity Range	10%-90% RH

Mechanical

Dimension	18.1x15.1x.59
Weight	8lb
Housing Material	Carbon fiber front High strength aluminum alloy back

Power

Dissipation	<8W /20W
Power Supply	100-240V AC
Frequency	50/60Hz

VIVA DR Warranty / Support Coverage

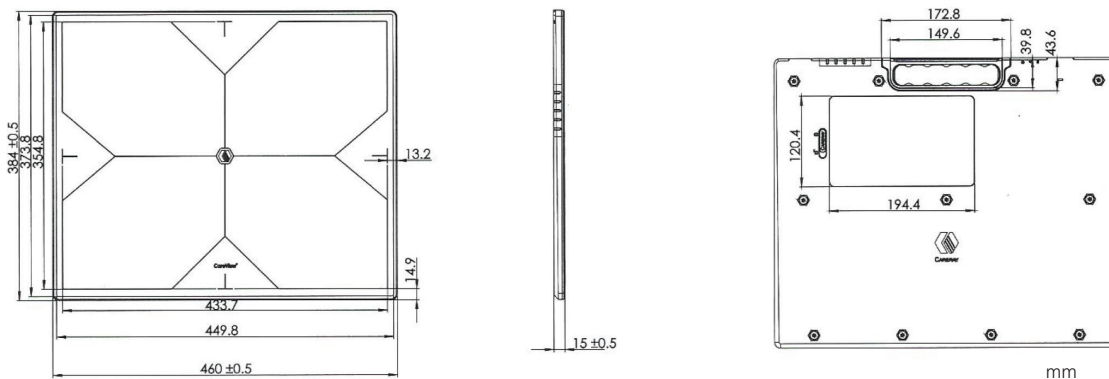
Manufacturer's Standard Warranty Coverage: Three (3) Years for Panel with Unlimited Remote Technical Support for Medlink Dealers* (Internet access is required). *Medlink Dealer must be on-site or logged in remotely to site for Unlimited Remote Technical Support. Drop Protection is not included.

Workstation PC Warranty and Support Coverage

Computer Acquisition Station and Monitor includes a Three (3) Year Warranty Plan with Next Business Day On-site Support from Lenovo. Help Desk Hours: Monday-Friday 9:00AM - 8:00PM Eastern Time, excluding Holidays.

Disaster Recovery

DR Systems are provided with a One (1) Year 250GB Disaster Recovery Data Archive Service Plan with an Automatic Backup to a Fully Monitored and Managed HIPAA Compliant Archival and Disaster Recovery Service. Customers may increase the data plan and/or extend this service after Year One (1) for a fee. Note: Activation of Disaster Recovery is automatically activated on all systems prior to shipment.



Contact Us for More Information



One Chapin Road, Pine Brook, New Jersey 07058
800-456-7800 • International 201-298-2980 • Fax: 888-437-9729
<http://www.medlinkimaging.com> • info@medlinkimaging.com