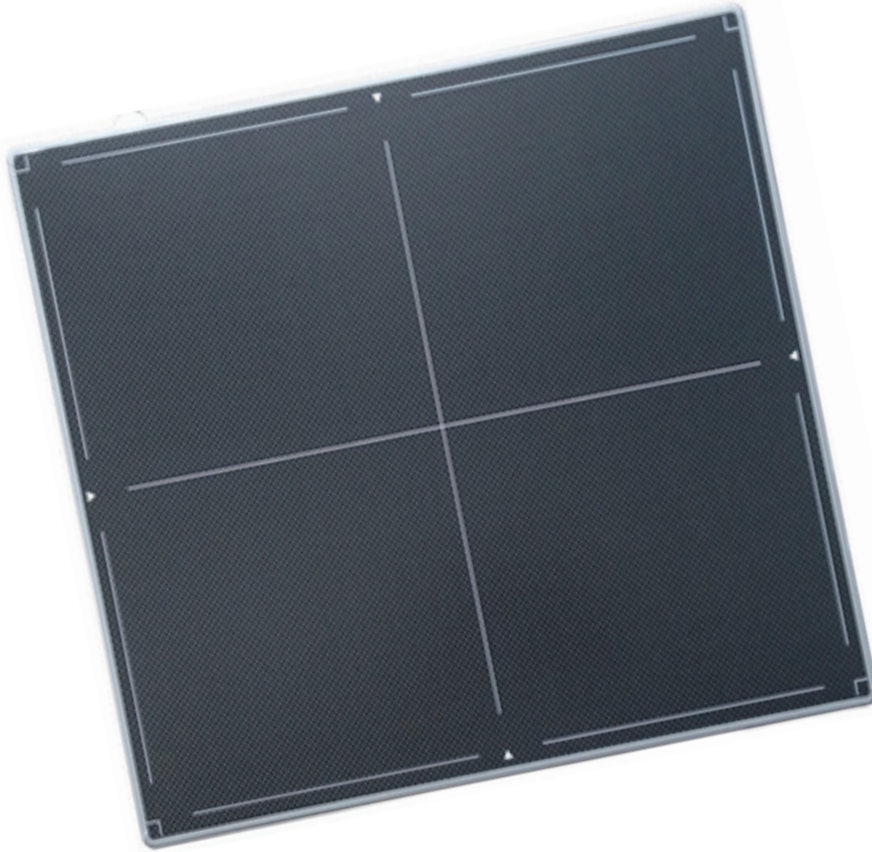




1800L 17"x17" Cassette-size Tethered Detector



The cassette-sized, tethered, lightweight 17" x 17" Medlink VIVA DR™ is designed for a variety of applications such as integrating with a system which requires a detector to be used in multiple positions or upgrading an existing cassette-based film or CR system to a flat panel DR. Optional F2AED® eliminates wiring to the generator.



Features & Benefits

- Cassette-sized and light weight (< 4.0kg) radiography FPD with X-ray auto-detection (F2AED) technology, Medlink VIVA DR 1800L is designed for various applications such as integrating with a radiography system which requires detector to be used on various positions, or upgrading an existing cassette-based film or CR system to a flat-panel DR without modification.
- Advanced technology (CsI, optimized electrical and digital signal processing) leads naturally to a product with high DQE (> 20% at 3 lp/mm and 10uGy), high spatial resolution (MTF > 24% at 3 lp/mm), extraordinary dynamic range (> 83 dB), and ultra low noise (dose-equivalent-noise of 8 nGy) and ensures excellence of image quality at low X-ray dose, operation safety for patients and radiation technologists.
- Simple to use and integration is guaranteed with a single cable for power, network and synchronization and standard cassette-size enclosure.

Contact Us for More Information



One Chapin Road, Pine Brook, New Jersey 07058
800-456-7800 • International 201-298-2980 • Fax: 888-437-9729
<http://www.medlinkimaging.com> • info@medlinkimaging.com

VIVA DR™ 17" x 17" Tethered Csl Panel

Sensor

Scintillator	CsI
Active Area	434 x 434 mm ²
Pixel Array	2816 x 2816
Pixel Pitch	154µm

Image Quality

Limiting Resolution	3.3lp/mm
Greyscale	16 bits

Communication Interface

Communication Interface	GbitE 2.4/5GHz, 300Mbps
-------------------------	----------------------------

Image Acquisition Time	2-3s F2AED
------------------------	---------------

Exposure Control	Manual (optional) External Trigger
------------------	---------------------------------------

Environmental

Operating	Natural Cooling
Temperature Range	5-35°C
Humidity Range (Non-condensing)	30%-75%RH

Storage

Temperature Range	-20-55°C
Humidity Range	10%-90% RH

Mechanical

Dimension	18.1x18.1x.59
Weight	8.5lb
Housing Material	Carbon fiber front High strength aluminum alloy back

VIVA DR Acquisition Workstation

1TB Local Mini-PACS in a RAID 1 (2 Drive)
4GB, Non-ECC, 1333 MHz DDR3
Intel i3 Dual Core Processor 2120 (3.3GHz)
16x DVD +/- RW SATA Optical Drive
Integrated Intel Graphics 2000
Monitor: 2MP, 22" LCD, Resolution:1920x1080 Ratio:1000:1
Licensed datalink Bridge 2x1TB (1TB RAID 1)

VIVA DR Acquisition and Viewing Software

Three (3) LAN - Local Area Network Viewers
DICOM Send - Multi Destination, DICOM Print
DICOM Store - Auto Routing and Scheduled Backup
CD/DVD Burning with Mini-Viewer

Measurement Tools
Archive, Image Preview, Magnify, Zoom, Pan, Annotation, Window Level, Rotate, Repeat / Reject, Magnify, Zoom, Pan L/R Marker, Un-sharp Mask
Image Export - DICOM, JPEG, TIF and BMP w/wo Viewer

Power

Dissipation	<8W /20W
Power Supply	100-240V AC
Frequency	50/60Hz

VIVA DR Warranty / Support Coverage

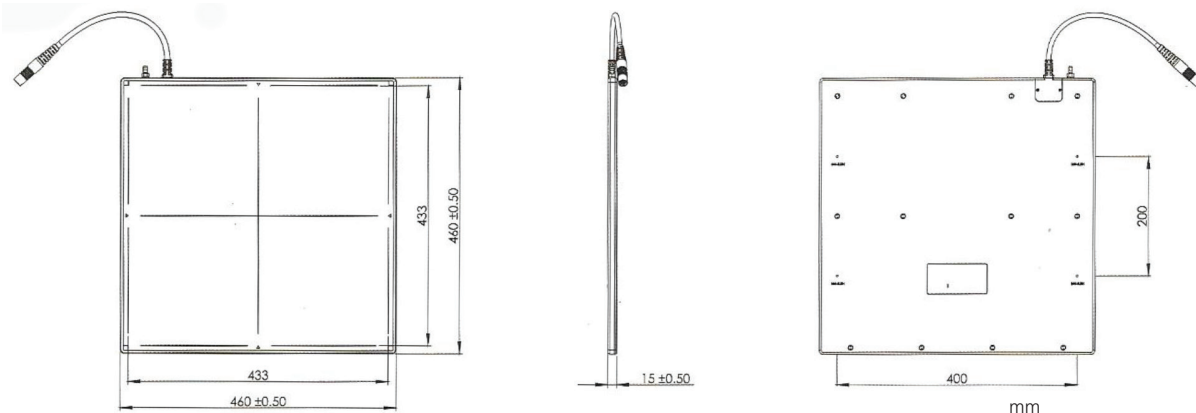
Manufacturer's Standard Warranty Coverage: Three (3) Years for Panel with Unlimited Remote Technical Support for Medlink Dealers* (Internet access is required). *Medlink Dealer must be on-site or logged in remotely to site for Unlimited Remote Technical Support. Drop Protection is not included.

Workstation PC Warranty and Support Coverage

Computer Acquisition Station and Monitor includes a Three (3) Year Warranty Plan with Next Business Day On-site Support from Lenovo. Help Desk Hours Monday-Friday 9:00AM - 8:00PM Eastern Time, excluding Holidays.

Disaster Recovery

DR Systems are provided with a One (1) Year 250GB Disaster Recovery Data Archive Service Plan with an Automatic Backup to a Fully Monitored and Managed HIPAA Compliant Archival and Disaster Recovery Service. Customers may increase the data plan and/or extend this service after Year One (1) for a fee. Note: Activation of Disaster Recovery is automatically activated on all systems prior to shipment.



Contact Us for More Information



One Chapin Road, Pine Brook, New Jersey 07058
 800-456-7800 • International 201-298-2980 • Fax: 888-437-9729
<http://www.medlinkimaging.com> • info@medlinkimaging.com