

halo<sup>RAD</sup>

# RELIABILITY MATTERS

Faster Support - Faster Parts



## OTS/OTC

medical devices



The halo family of tube supports provide flexibility to facilitate a wide range of x-ray procedures.

Fully counterbalanced.

The x-ray tube rotates a full 360-degrees about their vertical and horizontal axis with mechanical indexing at each 90-degree position (each 15 degrees column detents).

The ergonomic operator control panels provide convenient selections to allow the tube to be moved in the longitudinal, transversal, vertical and rotational directions, and allows for table/wall Bucky centering.

Single handle controls allow for fast and out of the way positioning. Clean, carefully laid out cable management.

The LCD displays indicate SID to tabletop/wall Bucky in inches or centimeters (calibrated at installation) and angulation of the x-ray tube in degrees.

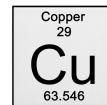
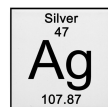
The "Intelligent Firmware" allows for fast and easy access to calibration and configuration.

Platform mounts are standard, and 10" orthopedic column extensions are optional.

Isolated on-board 24VAC & 24VDC Power for Collimator etc...

Cleanable powder coat finish.

Copper and/or silver flashed squeeze handle for combatting microorganisms.



Adaptable to ceiling heights  
between 96" - 132"

The **twelve different** halo overhead tube support models are hospital grade, manually operated, fully counterbalanced ceiling mounted units. Models available for unique imaging and/or unique installation applications.

10X Life Counterpoises

New SID Tracking Systems  
featuring 20X life

ANY ROOM - ANY CEILING - ANY HEIGHT



Touchscreen Operation available

## Sample Specification (Model No: 02-000-2517)

Longitudinal Rail Length: Standard - 14' (4.27m)

\*Optional - 12', 16', 18'

Transverse Bridge Length: Standard - 120" (3.03m)

Vertical Travel: Standard - 60" (1,524 mm)

Installable on ceiling heights as low as 96"

Even Lower Ceiling Height Installations Are Available

Total weight of standard unit: 400 lbs. (181 Kg)

(Expected completed weight with all options 550 lbs)

Electrical Requirements: 115 - 5 Amps 50/60 hz (220 VAC Optional)

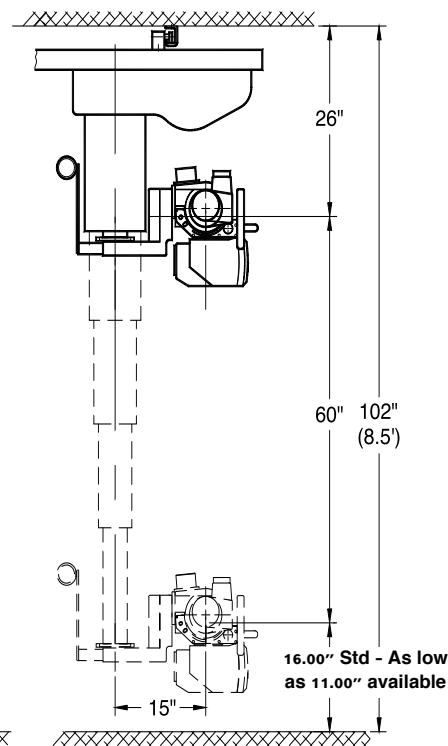
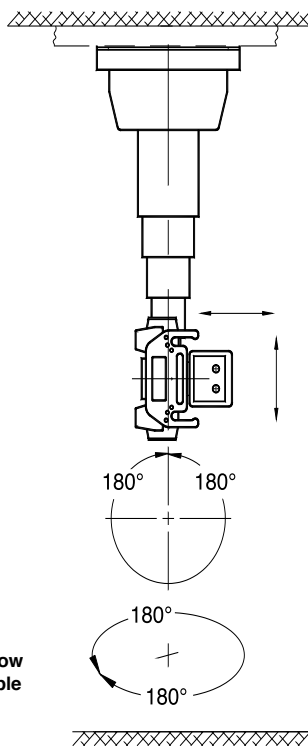
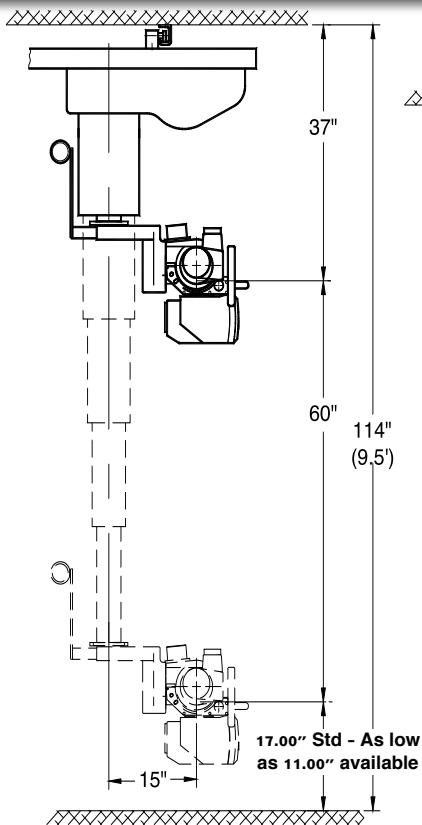
**CURRENT MODELS: halo Compact - halo Extended - halo Touchscreen - halo Ortho - halo Everywhere - halo 2500/2517 - halo Trauma - halo Outboard - halo Front/Rear - halo Spread - halo Tracking - halo Stitching**



## SAMPLE halo OTS/OTC CONFIGURATIONS

Shown below with 9.5' ceiling installation "gooseneck down"

Shown below with 8.5' ceiling



**CORE LABS**  
RADIOGRAPHIC  
USA



3720 S. Lipan Street Englewood, CO 80110  
T. (303) 761-0131 F. (303) 948-8913  
WEB: [www.corelabshome.com](http://www.corelabshome.com)

ORTHO - HOSPITAL - CLINIC