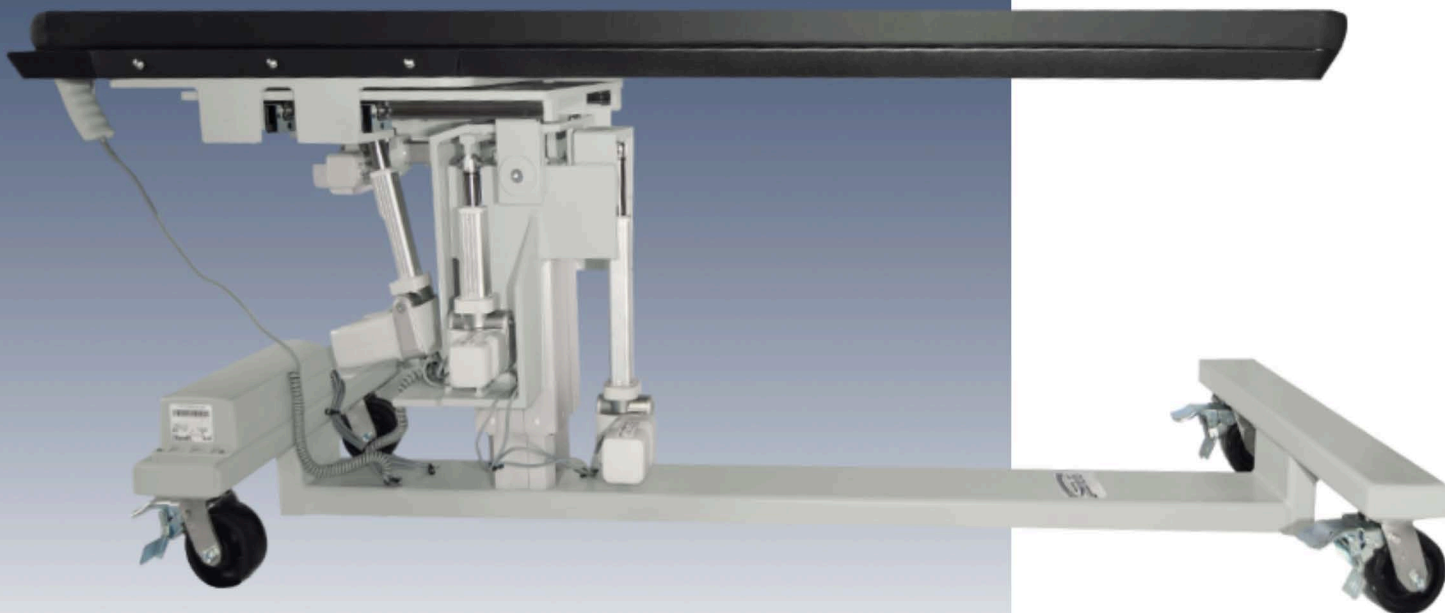


# Streamline

Series Pain Management C-arm Table  
by Surgical Tables, Inc.



Easy c-arm access

500 lb weight capacity

2" patient comfort pad

Lightweight and easy to move

24" wide top

Made in the USA

## Standard Accessories:

Hand Control



Patient Straps



# Optional Accessories



Standard Side Rails



Paper Roll



Foot Control

\*Streamline 1, 2, & 3 require upgrade to use both hand and foot controls simultaneously



Modular Side Rails



Surgical Arm Boards  
\*Require side rails



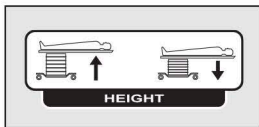
Procedural Arm Boards



# Configurations/Specifications

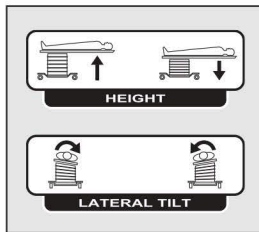
## Streamline 1

Height 28"-38"



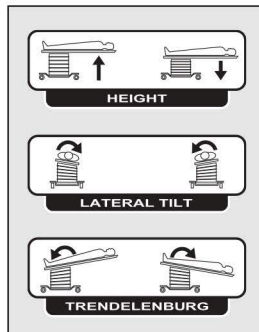
## Streamline 2

Height 28"-38"



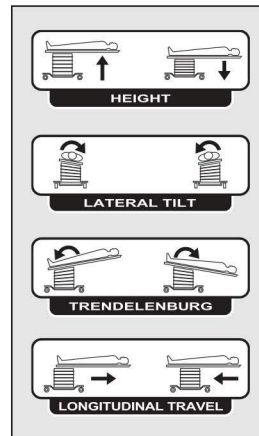
## Streamline 3

Height 28"-38"



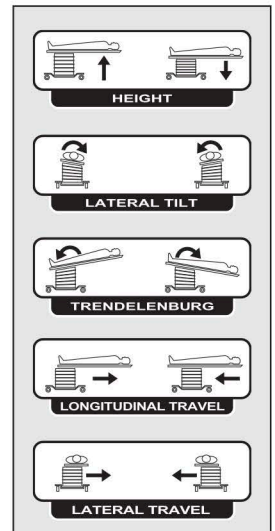
## Streamline 4

Height 30"-40"



## Streamline 5

Height 33.5"-43.5"



### Surgical Tables, Inc

2 DeBush Ave Unit C3  
Middleton, MA 01949 USA

888-737-5044/978-777-4031

sales@surgicaltables.com

www.surgicaltables.com

500 lb weight limit  
Tabletop: 84"L x 24"W  
120V/60Hz or 230V/50Hz  
5" Locking Swivel Castors  
2" Thick Mattress  
Lateral Tilt: 17°  
Trendelenburg: 13°  
Longitudinal Travel 10"  
Lateral Travel: 10"  
Table Dimensions: 86"L x 26"W